



HAF-ISO Leisure Liferaft

Specification of HAF-ISO 9650-1 Leisure Liferrafts *(Includes Rescue Pack For Inside 24 hours)*

Capacity	Size of Valise Pack	Weight of Valise Pack	Size of Canister Pack	Weight of Canister Pack
4	660x400x230	30 kg	730x480x400	36 kg
6	670x420x250	36 kg	780x530x380	43 kg
8	680x460x260	43 kg	780x530x380	50 kg
10	700x480x270	53 kg	850x550x400	58 kg
12	700x480x300	58 kg	850x550x400	62 kg

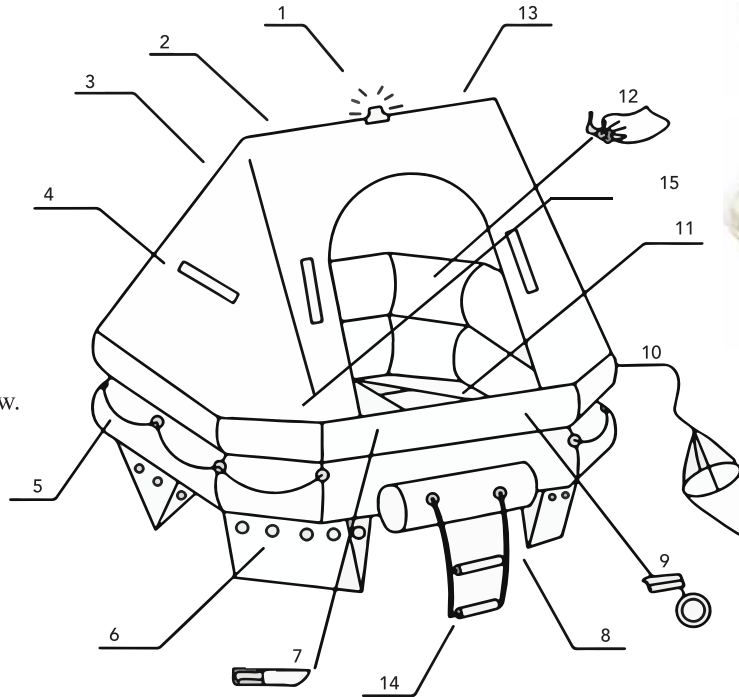
Maximum Drop Height: 6m

Key Features

- Compact and lightweight canister and valise options available
- Exceptional quality - designed, tested to ISO 9650-1
- 3 years service intervals
- Vacuum Packed
- PAI Approved Steel Cylinder

Double tube, self-erecting canopy (Solas approved materials)

1. External canopy top mounted light and interior light.
2. Rainwater collection system.
3. Look out port, air circulating window.
4. High visibility orange waterproof Nylon canopy with reflective tape.
5. LifeLine.
6. 4x 55 litre stability water pockets.
7. 1 Floating knife.
8. Inflatable boarding ladder.
9. Rescue quoit with 30 metres line.
10. Sea anchor.
11. Boarding Handle.
12. Accessories Pack.
13. Vent.
14. 2 step weighted boarding ladder.
15. Thermo insulated floor.



Lifesaving Equipment



- | | |
|---------------------------|--------------------------------|
| 3 Red hand flares | 2 Paddles |
| 2 Parachute Flares | 1 Repair kit |
| 2 Waterproof signal torch | 1 Fishing kit |
| 1 Bailer | 1 Heliograph(signal mirror) |
| 2 Sponges | 1 Graduated drink cup |
| 1 Whistle | 6 Seasickness pills/per person |
| 1 Hand pump | Drinking Water .5ltr pp |
| 1 Lifesaving signal card | Seasick Bags 1pp |
| 4 Rubber leak stoppers | |

Certificate Available Issued by:



Express

DIESEL SERVICE LTD

**Sales & Service Stations
Across The Pacific**

New Zealand, Fiji, Solomon Islands,
Vanuatu, New Caledonia, Tahiti.
And servicing Tonga, Cook Islands,
PNG & Niue.

P: +64 9 275 4575

E: mark@expressdiesel.co.nz
1/185 Montgomerie Road,
Airport Oaks, Auckland Airport

www.expressdiesel.co.nz